

PILOT 130-150

13-15 METER ICE CAPABLE SINGLE ENGINE PILOT BOATS



PILOT 130-150

13-15 METER ICE CAPABLE SINGLE ENGINE PILOT BOATS

Main dimensions

Lenght overall: 13-15 m
Breath: 4,55 m
Draught: 1,60 m
Displacement: 16,5 t
Power: 550 kW
Speed: 22 Kn
Range (estimated): 200 Nm
Capacity: 6 persons

Material & construction

Marine aluminium

Ambient conditions

Air: -5°/ +35° C
Seawater: +5°/ +32° C

Tank capacities

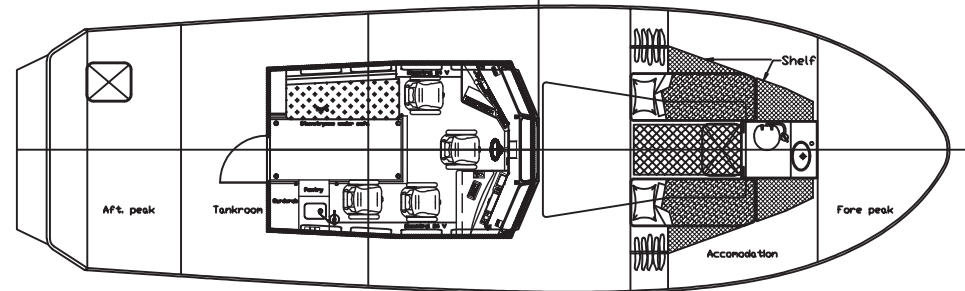
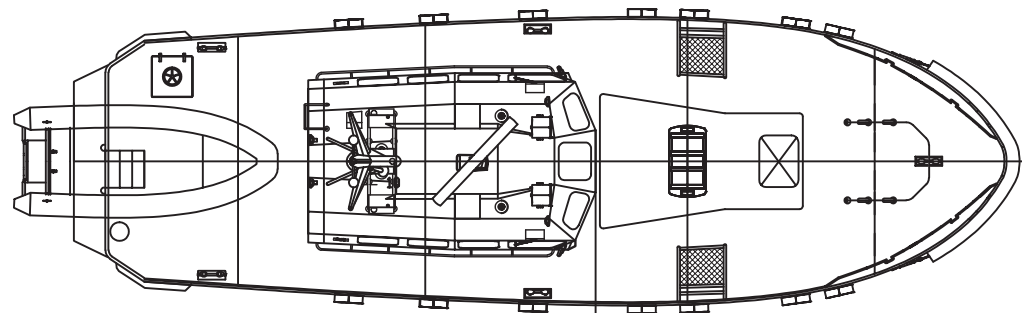
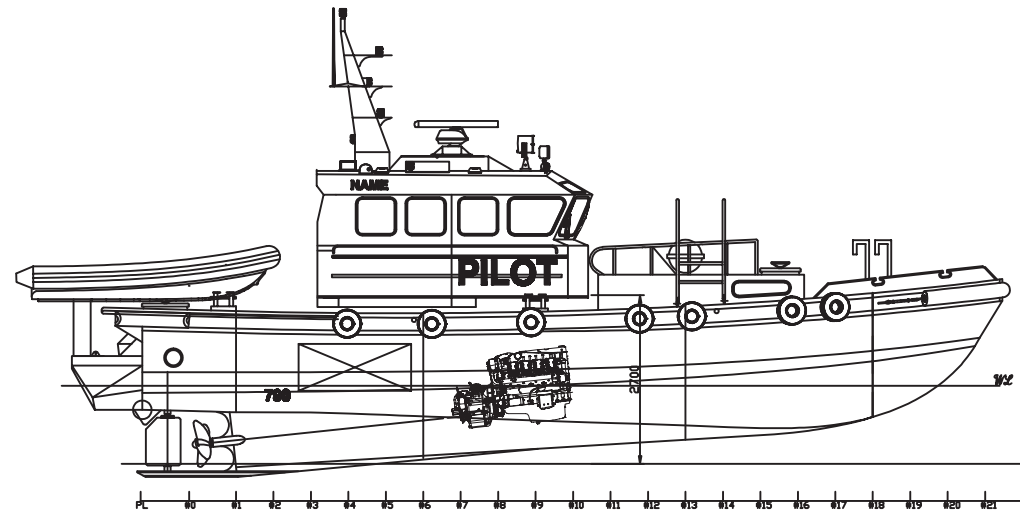
Fuel: 1000 l
Water: 200 l
Waste: 200 l

Propulsion concept

Main engine: MTU 8V2000 or equivalent
Gearboxes: Type ZF or equivalent
Propulsion: 1 x Propeller

Users

Estonian Pilot, Port of Klaipeda



BALTIC WORKBOATS AS: NASVA HARBOUR, NASVA
KAARMA V, SAARE MK 93872, ESTONIA
T: +372 45 21140 F: +372 45 21145
info@bwb.ee www.balticworkboats.ee