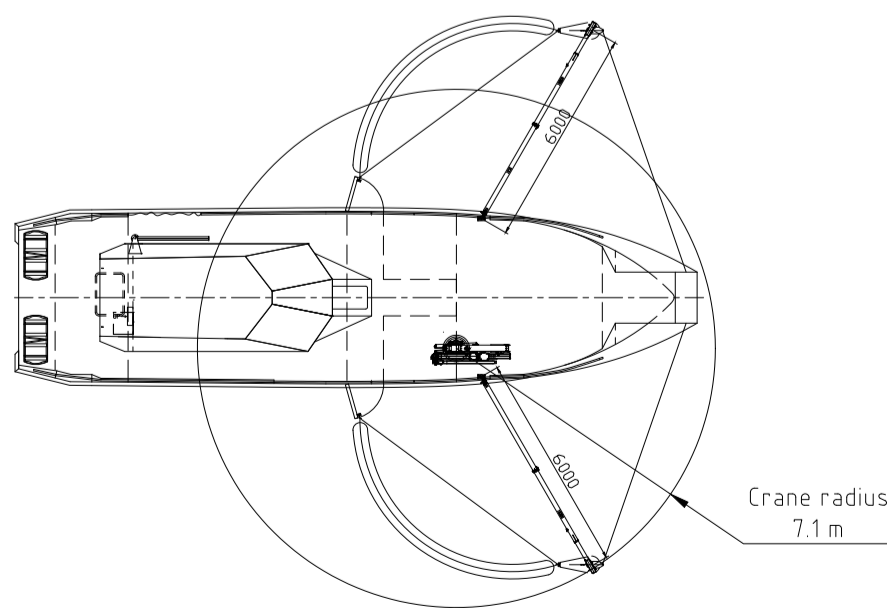
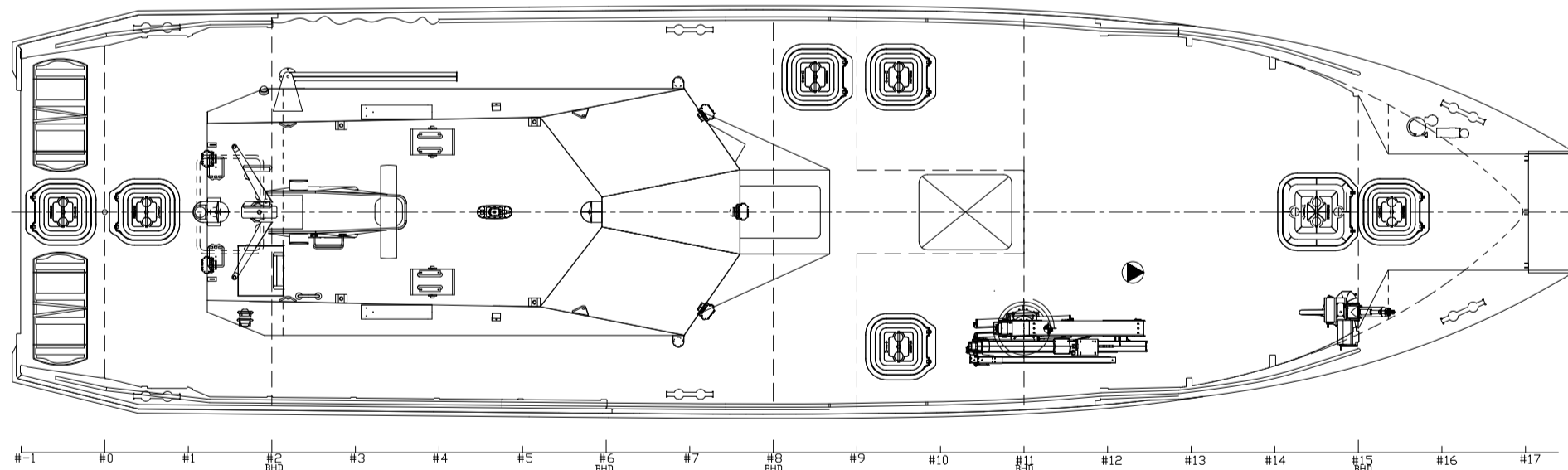
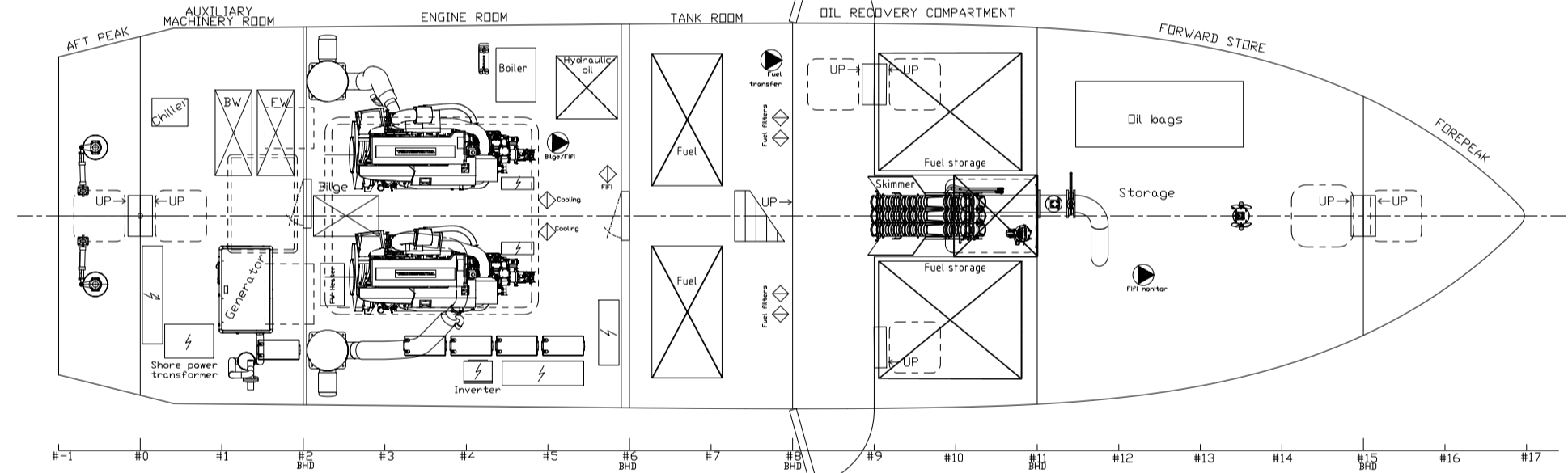
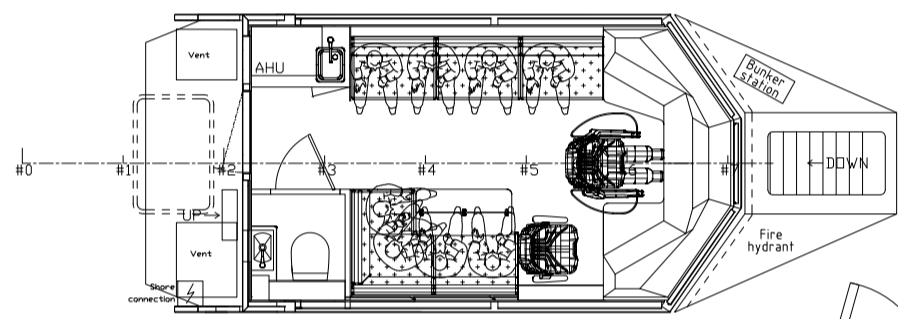
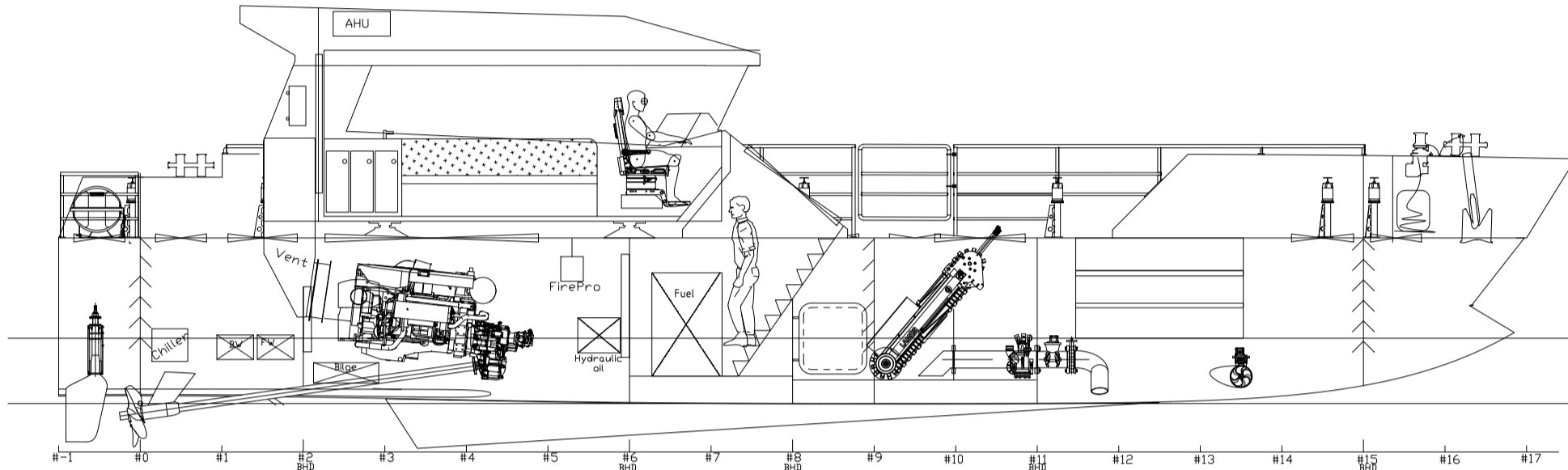
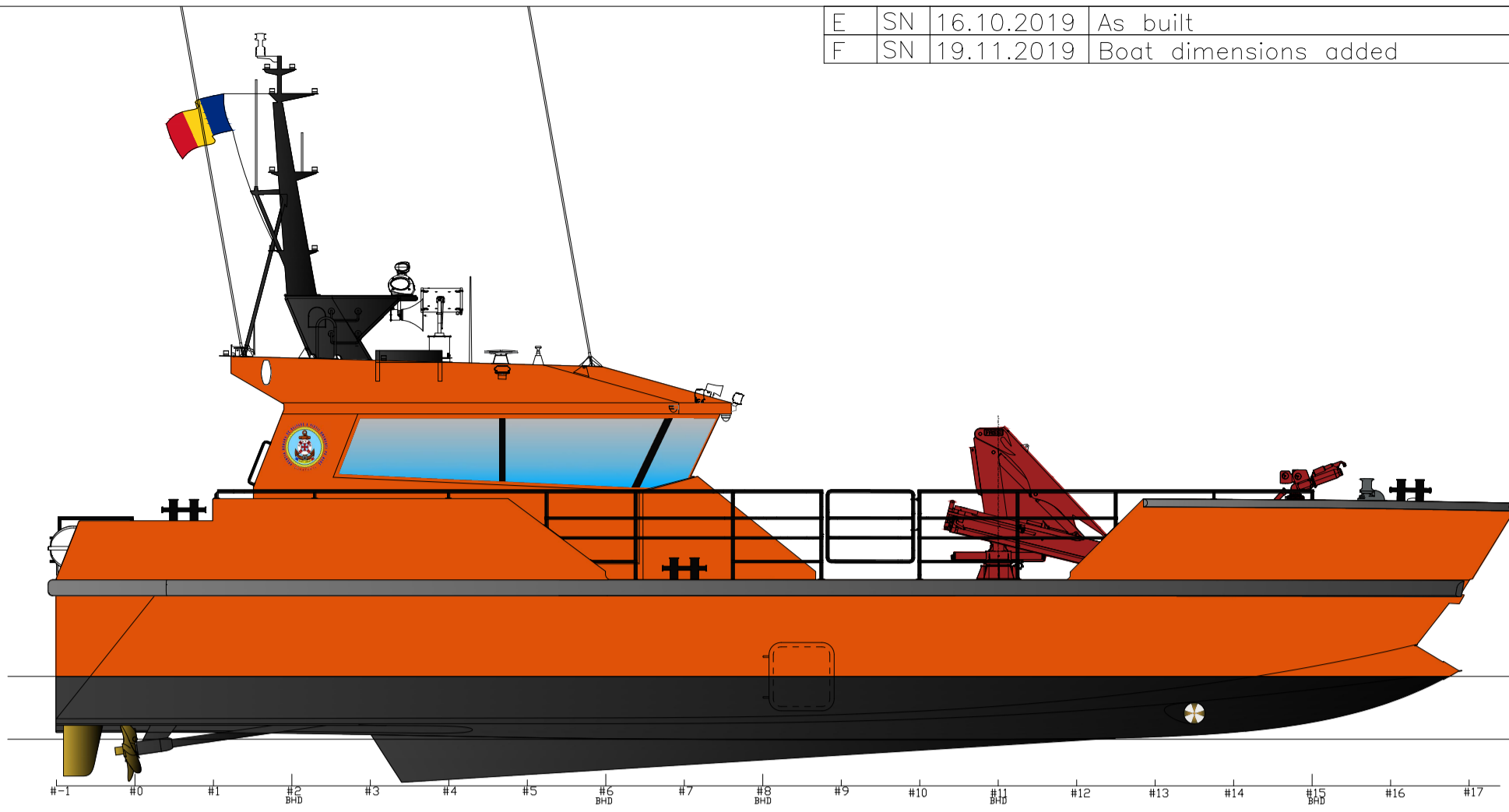


E	SN	16.10.2019	As built
F	SN	19.11.2019	Boat dimensions added



Oil recovery configuration  
M1:200

Length	18,6m
Beam	4,69m
Overall height	8,7m
Depth(moulded)	2,035m
Draught min	0,674m
Draught max	0,9m
Disp. max	38,34t
Lightship	27,98t
Speed, max	25 kn
Fuel	3000L
Engine	2xVP D13MH 441kw
Persons on board	10 person
Navigation area	GMDSS A2
Service area	G2A



DESIGN	SN	DRAWN	SN	Baltic 18 WP Oilrec	
APPR	EA	MASS	CONNECTED	General arrangement	
SCALE	1:75	FORMAT	A2	DRW NO	197-00.020.01
DATE	06.02.2019	REVISION	F		